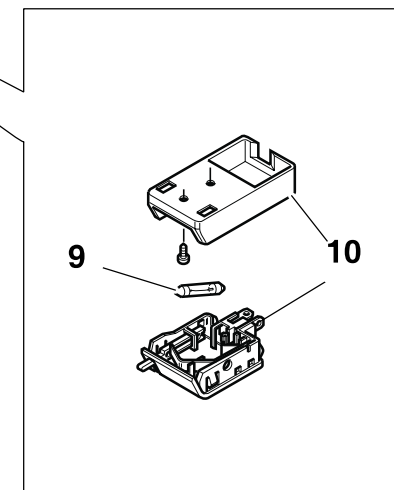
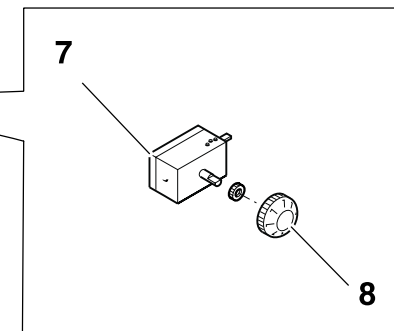
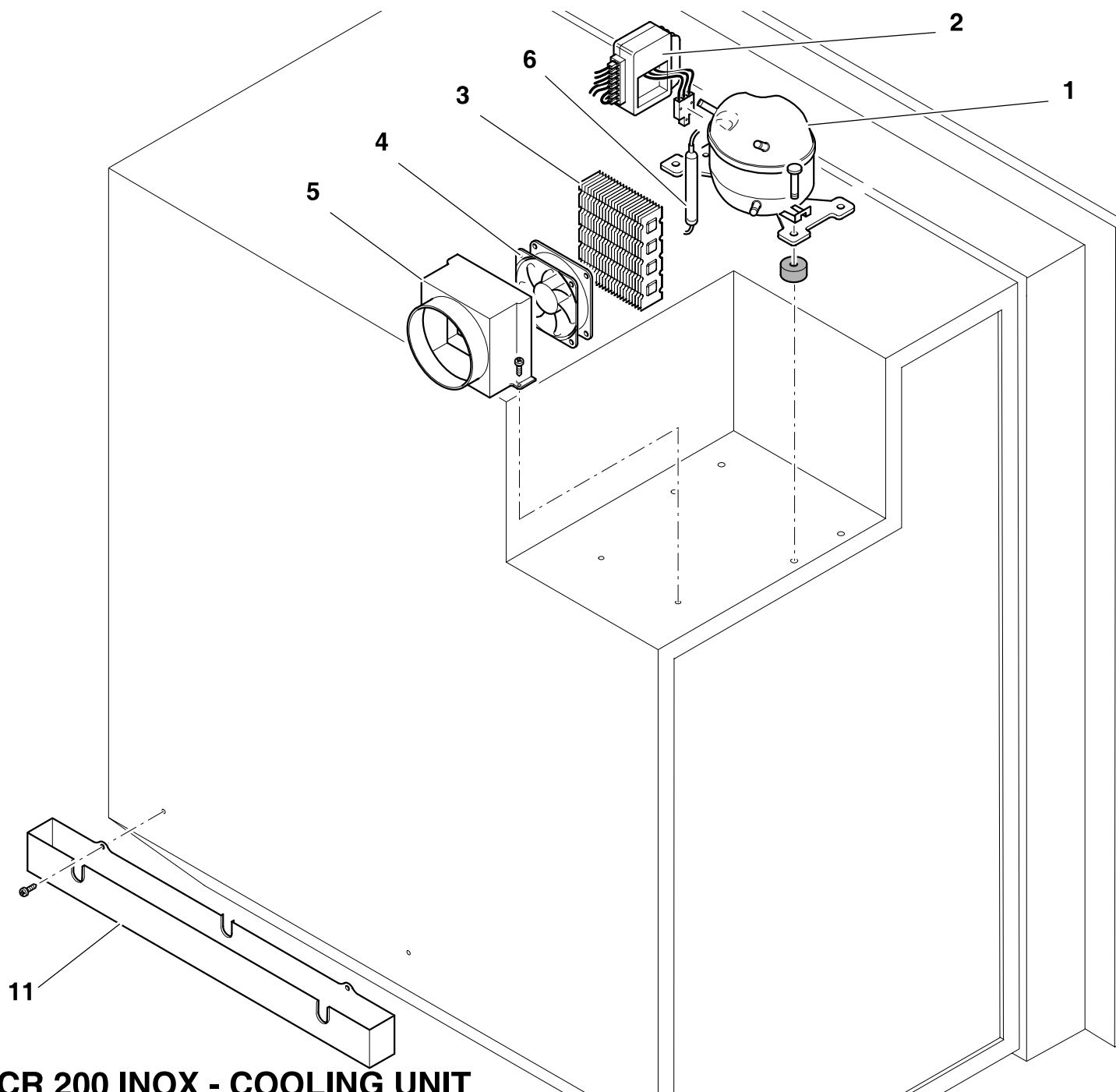


CR 200 INOX - CABINET



CR 200 INOX - COOLING UNIT

NUMERO NUMBER	CODICE ARTICOLO ITEM CODE	DESCRIZIONE ARTICOLO ITEM DESCRIPTION
1	SBA00004DA	COMPRESSORE BD50F SENZA CENTRALINA TP39319 DANFOSS COMPRESSOR BD50F NO ELECTRICAL UNIT TP39319
2	SEG00037DA	CENTRALINA DANFOSS B50F/BD80F HIGH START 12/24V CR200 ELECT. UNIT DANFOSS BD50F/BD80F HIGH START 12/24V CR200
2	SEG00030GA	CENTRALINA DANFOSS BD35/50F AC/DC 12/24V DC 110/220V AC ELECT. UNIT DANFOSS BD35F/50FAC/DC 12/24V-115/230V
3		
4	SBG00005BA	VENTOLA CABLATA 12V LOW SPEED FAN 12V LOW SPEED FOR COMPACT AND CRUISE TP39236
5	SBE00110AA	CONVOGLIATORE CR200-FF PLASTIC AIR CONVEYER FOR CR200-FF
6	SBD00073AA	FILTRO 10g PER CR FILTER 10Gr FOR R134a B041 TUBE 6+2mm (CRUISE/DANFOSS)
7		
8		
9	SEC00007BA	LAMPADINA LUCE INTERNA 12V LIGHT BULB 12V-3W G114
9	SEC00005CA	LAMPADINA LUCE INTERNA 24V LIGHT BULB 24V-3W G115
10	SEC00003DA	PLAFONIERA LUCE INTERNA COMPLETA INTERNAL LIGHT KIT 12-24V TP10014
11	SGC00209AA	SGOCCIOLATOIO POSTERIORE PLASTICA BIANCA POSTERIORE CR130D/CR195/CR200 WHITE PLASTIC DRIP REAR TRAY CR130D/CR195/CR200
12		
13	SGB00104AA	FLANGIA INOX CR200 3-LATI FLUSH MOUNTING FIXING FRAME INOX CR200 3-SIDE FLUSH MOUNTIG
14		
15		
16	SGC00441AA	CASSETTO PLASTICA VANO FREEZER CR200 PLASTIC DRAWER FREEZER SIDE CR200
17	SGC00442AA	CASSETTO PLASTICA VANO FRIGO SINISTRA CR200 PLASTIC DRAWER FRIDGE SIDE LEFT CR200
18		
19		
20		
21		
22		
23		
24	SGD00012AA	MANIGLIA INOX "CRUISE INOX". INOX HANDLE/LOCKER FOR "CRUISE INOX"
25	SGC00201AA	PORTA INOX CR200 FREEZER INOX DOOR FOR CR200 FREEZER
26	SGC00200AA	PORTA INOX CR200 FRIGO INOX DOOR FOR CR200 REFR.
27		
28		
29		
30		
31		
32	SGC00443AA	CASSETTO PLASTICA VANO FRIGO DESTRA CR200 PLASTIC DRAWER FRIDGE SIDE RIGHT CR200