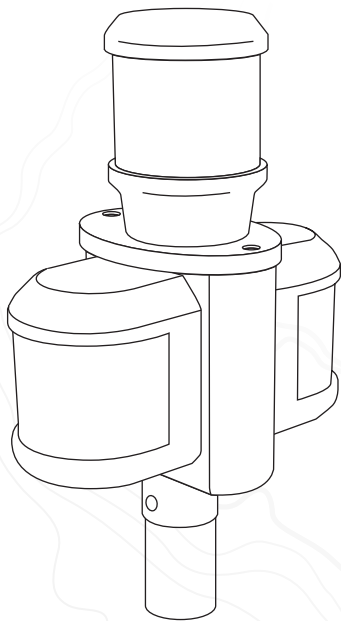


SEAVIEW

ELEVATE YOUR ELECTRONICS



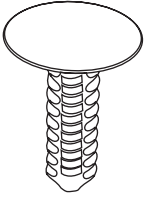
INSTALLATION INSTRUCTIONS

For Seaview Light Bar Tops:

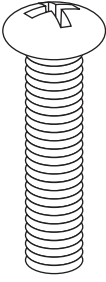
LTB-BOX, LTB-BOXW

Refer to website for most up to date instructions and videos.

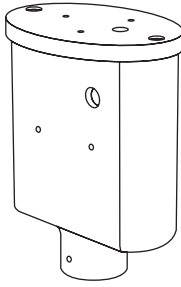
PARTS INCLUDED



x2



x2

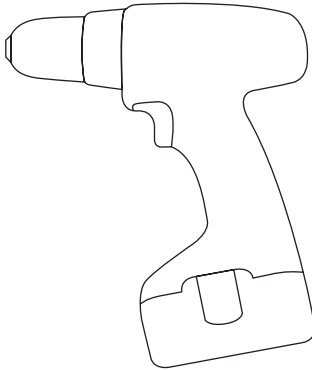
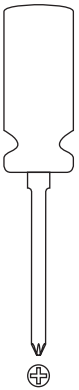


x1

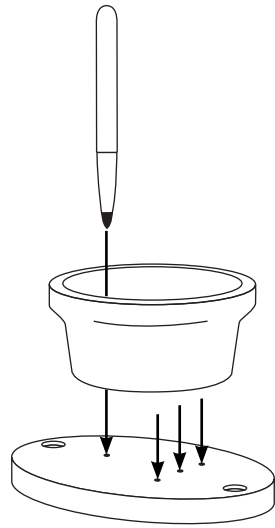
TOOLS NEEDED



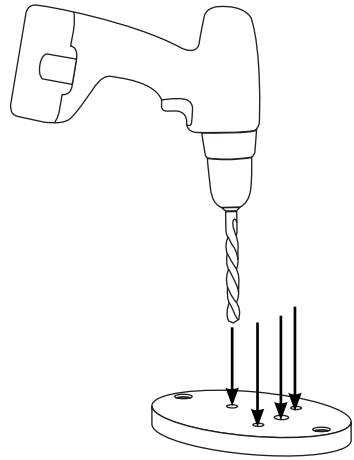
Sudbury Elastomeric Marine Sealant is recommended. To purchase call 800-655-7922 or visit www.seaviewglobal.com



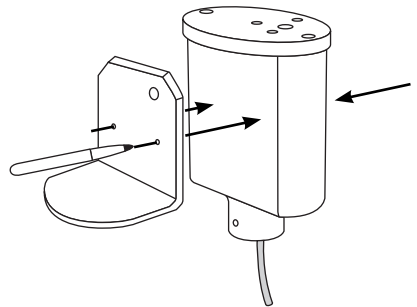
1 Take your light and place it on top of the LTB-BOX or LTB-BOXW. Mark the necessary holes for drilling.



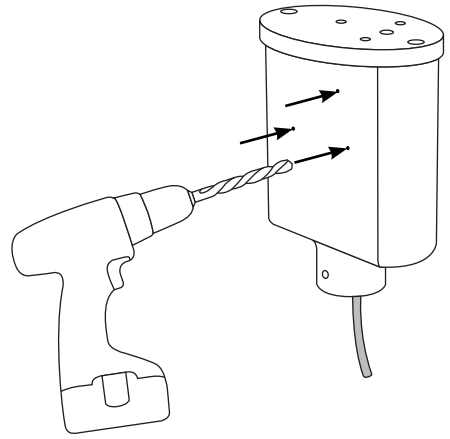
2 Using a drill bit, drill the holes you just marked.



3 Place the lighting bracket on the face of the LTB-BOX or LTB-BOXW. Then mark the necessary holes for drilling. Repeat on other face.

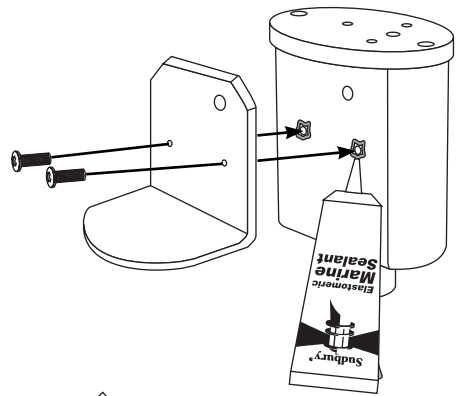


4 Using a drill bit drill the holes you just previously marked on both sides.

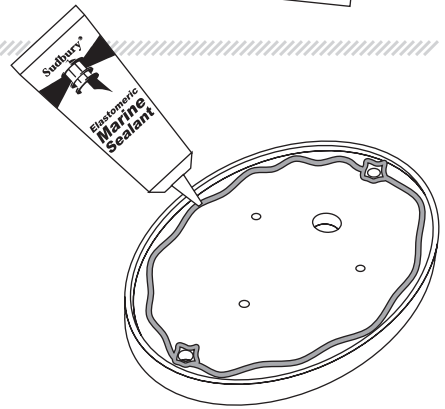


5 Using the hardware that came with your light, secure lights to the front and back of the LTB-BOX or LTB-BOXW.

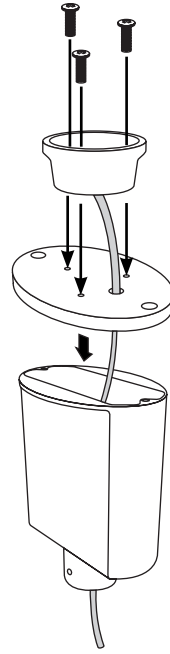
Be sure to apply marine adhesive sealant around the drill holes as shown.



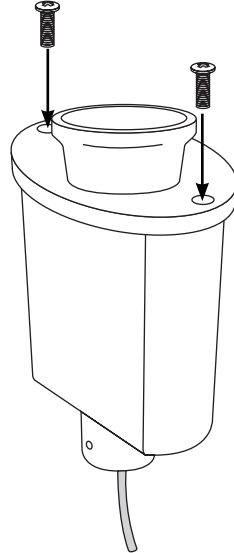
6 Using marine adhesive sealant apply some around the two holes and perimeter of the top as shown.



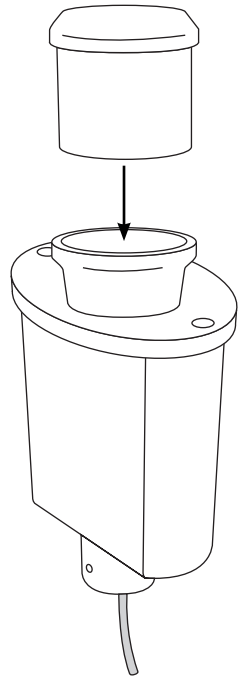
7 Route the cables and secure the light to the LTB-BOX or LTB-BOXW.



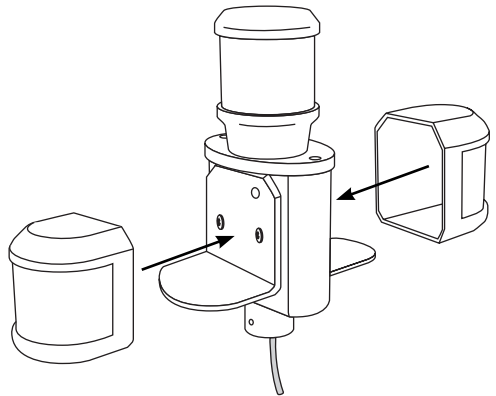
8 Secure the top to the body using the two provided screws.



9 Finish securing the top lighting assembly per manufacturer's instructions.



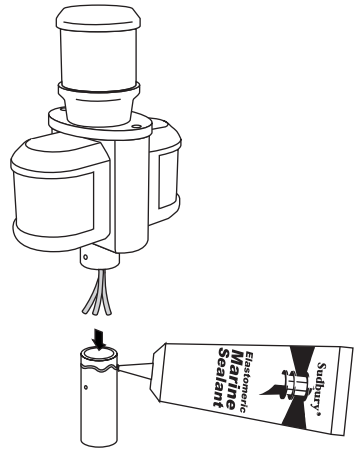
10 Finish assembling the lights per manufacturer's instructions.



11

Route cables into the Light Bar.

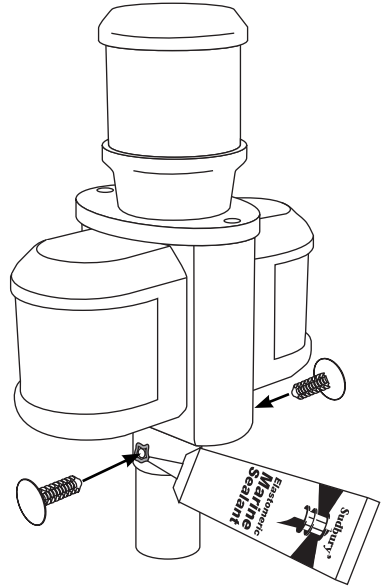
Apply marine adhesive sealant around the Light Bar as shown.



12

Apply marine adhesive sealant around the front and back holes as shown.

Secure assembly with the two black plastic rivets.



The background of the entire page is a light gray topographic map with white contour lines. The lines are irregular and wavy, representing elevation changes across a landscape. The map is centered and fills the entire frame.

SEAVIEW///
ELEVATE YOUR ELECTRONICS

SEAVIEW///

Tel: 800-655-7922
www.seaviewglobal.com

EUROPEAN OFFICE

Tel: +33 4 94 53 27 70
www.seaviewprogress.com

2-082218