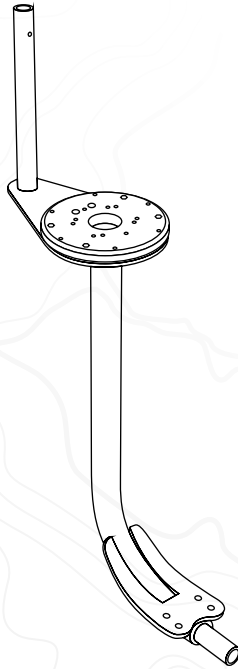


# **SEAVIEW**

**ELEVATE YOUR ELECTRONICS**



## **INSTALLATION INSTRUCTIONS**

For Seaview Light Bars:

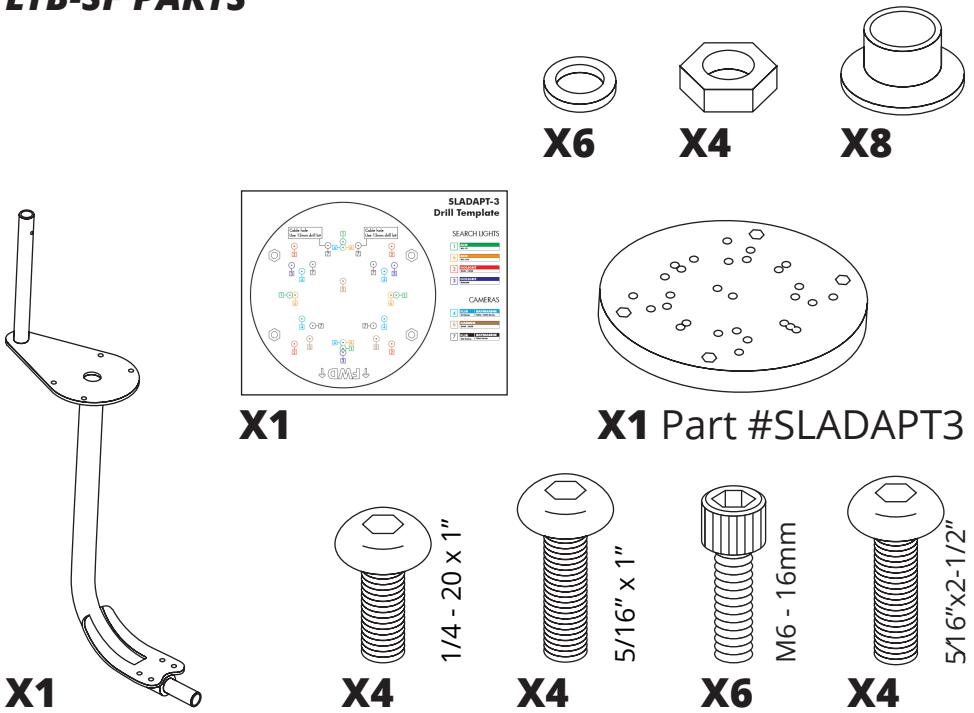
***LTB-SF, LTB-SF2***

Refer to website for most up to date instructions and videos.

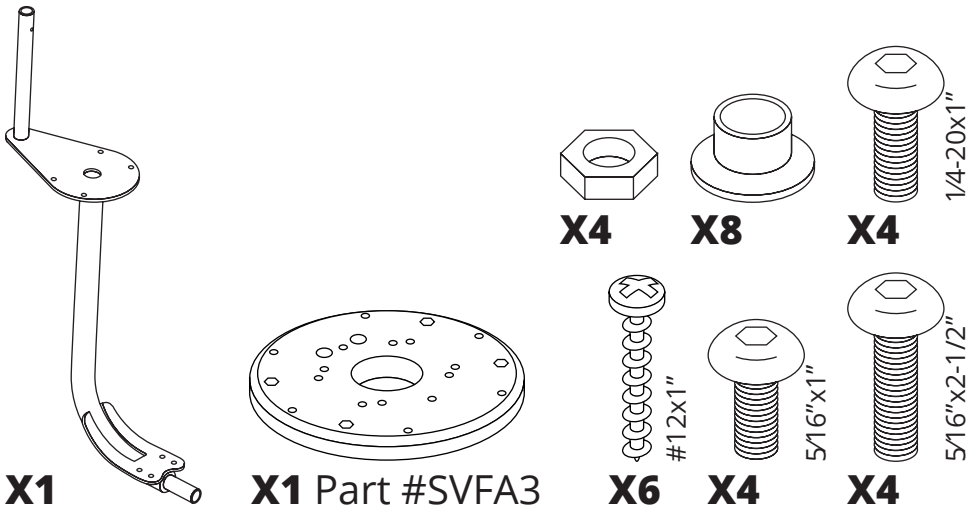
**[WWW.SEAVIEWGLOBAL.COM](http://WWW.SEAVIEWGLOBAL.COM)**

# PARTS INCLUDED

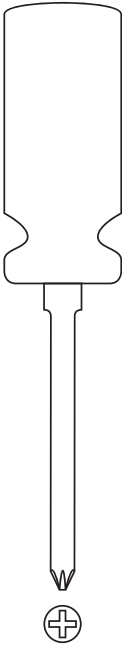
## LTB-SF PARTS



## LTB-SF2 PARTS

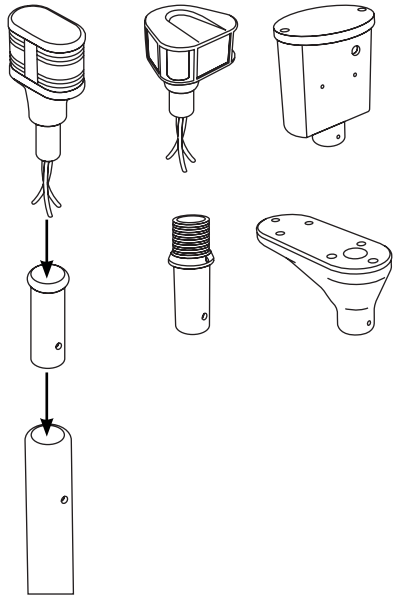


# TOOLS NEEDED



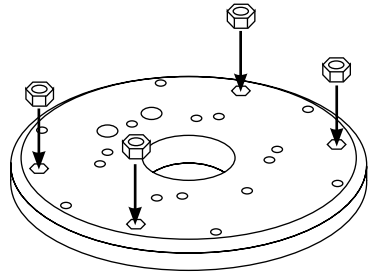
# 1

Install your light, adapter or box onto the light bar by following the instructions that came with the optional accessory.



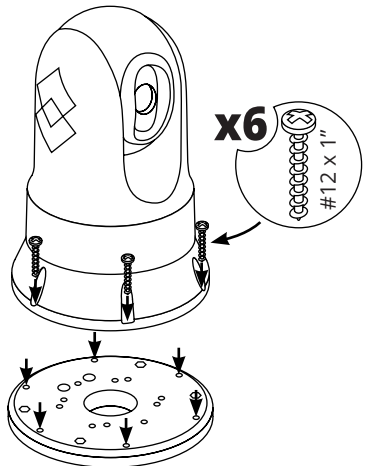
# 2

Insert the four nuts into the adapter plate. This has most likely been done for you.



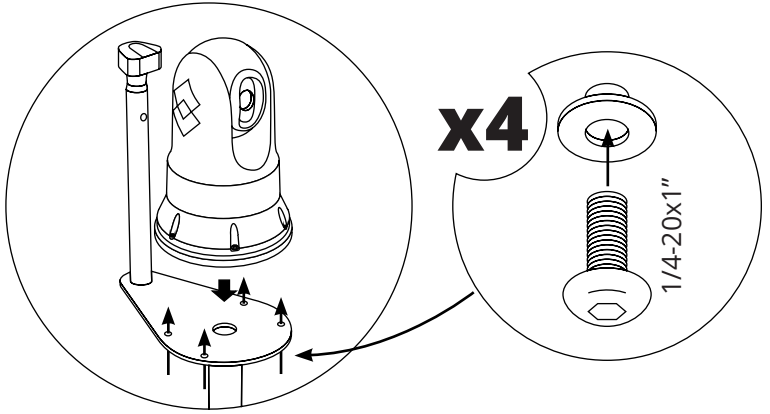
# 3A

Using a philips head screwdriver screw in the six #12x1" screws to secure the camera to the adapter plate. (For #LTB-SF2 only)



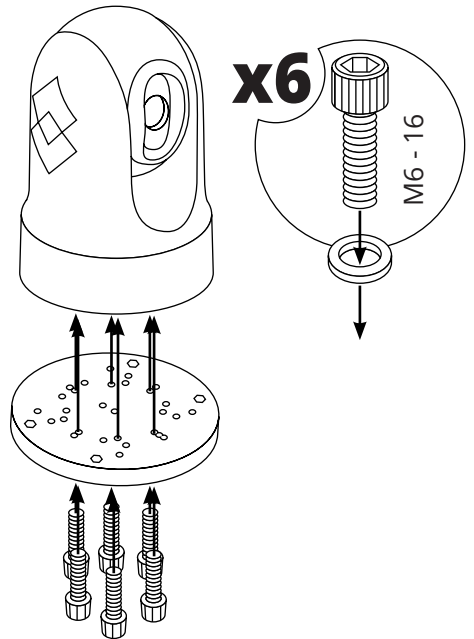
# 3B

Secure the camera or search light assembly to the light bar using the four 1/4-20x1" bolts and nylon shoulder washers.



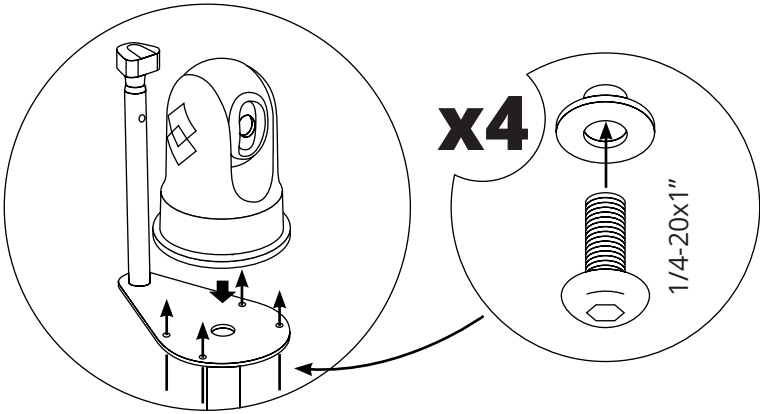
# 4A

Using a philips head screwdriver screw in the six M6 - 16mm bolts to secure the camera to the adapter plate. (For #LTB-SF only)



# 4B

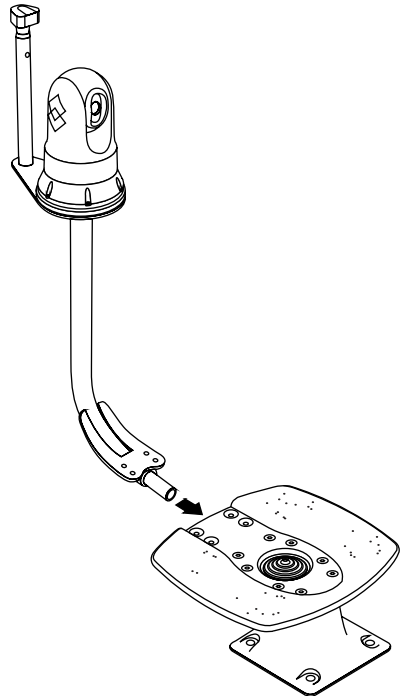
Secure the camera or search light assembly to the light bar using the four 1/4-20x1" bolts and nylon shoulder washers.



---

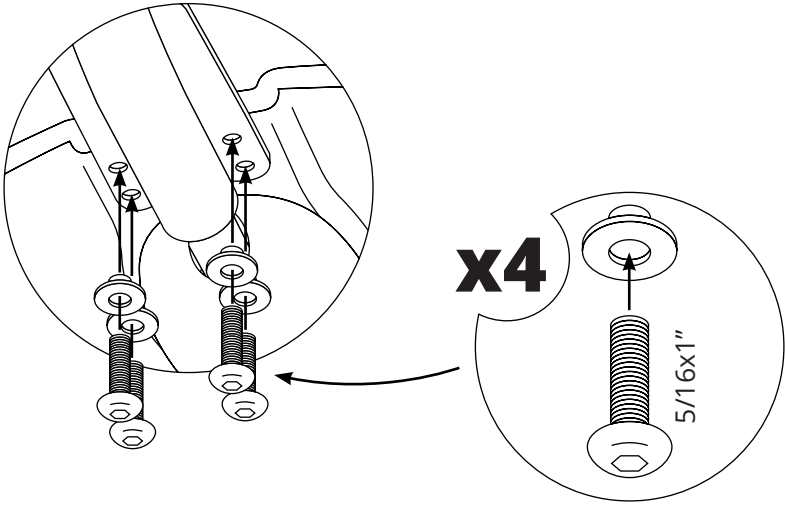
# 5

Insert the light bar into the light bar hole located on the back of the Seaview mount.



# 6A

Using the four 5/16x1" bolts and nylon shoulder washers, secure the light bar by bolting it to the top plate.



---

# 6B

When using the Seaview #SP1-MOD or #SP2-MOD Spreader Kits use the 5/16x2-1/2" bolts.

The background of the entire page is a light gray topographic map with white contour lines. The lines are irregular and wavy, representing elevation changes across a landscape. The map is centered and covers the entire area.

***SEAVIEW***///  
***ELEVATE YOUR ELECTRONICS***

***SEAVIEW***///

Tel: 800-655-7922  
[www.seaviewglobal.com](http://www.seaviewglobal.com)

***EUROPEAN OFFICE***

Tel: +33 4 94 53 27 70  
[www.seaviewprogress.com](http://www.seaviewprogress.com)

4-010719