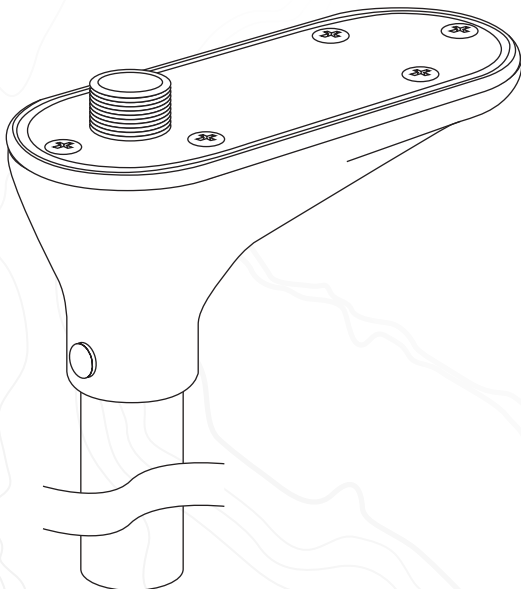


SEAVIEW

ELEVATE YOUR ELECTRONICS



INSTALLATION INSTRUCTIONS

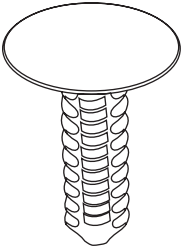
For Seaview Light Bar Top:

LTB-U1A

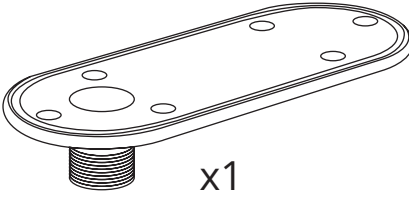
Refer to website for most up to
date instructions and videos.

WWW.SEAVIEWGLOBAL.COM

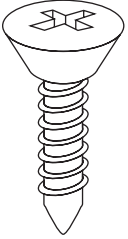
PARTS INCLUDED



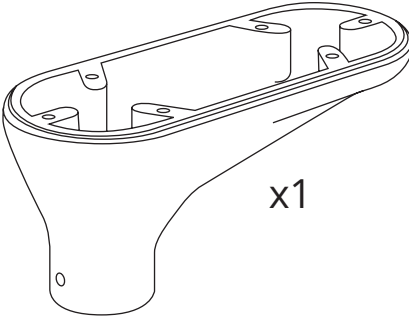
x2



x1



x6



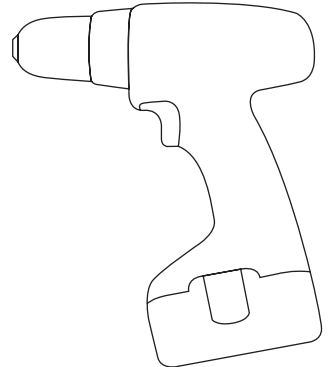
x1

TOOLS NEEDED

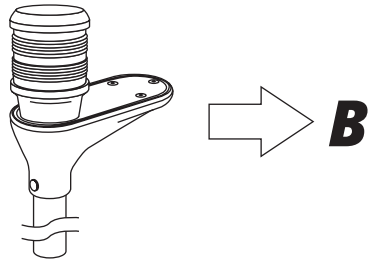
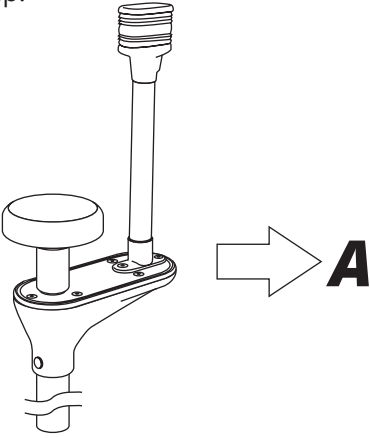
Sudbury Elastomeric
Marine Sealant is
recommended. To
purchase call 800-655-7922
or visit
www.seaviewglobal.com



1/16 inch = 5mm

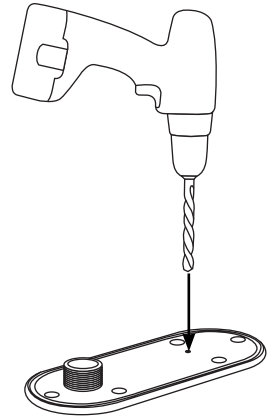
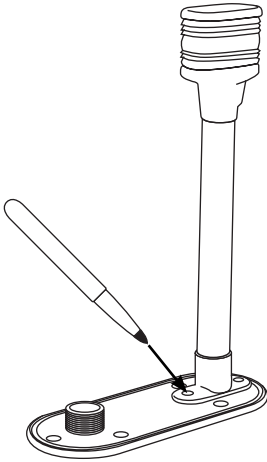


Refer to the appropriate set in instructions depending on your LTB-U1A setup.



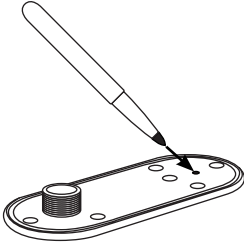
A1 Mark the necessary holes to drill.

A2 Drill the holes that you just marked.



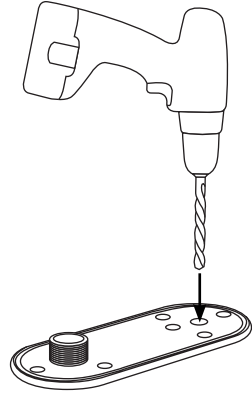
A3

Mark the enter cable hole for drilling.



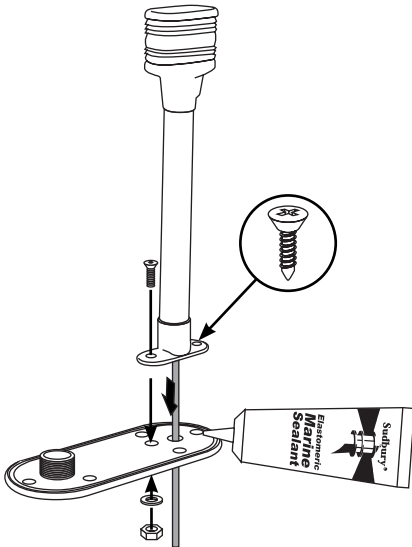
A4

Drill the center cable hole.



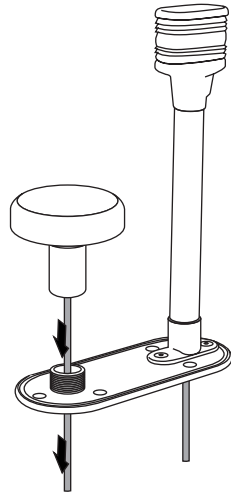
A5

Apply marine adhesive sealant around the holes that you drilled for the light assembly. Secure the light assembly. You may be able to use one of the provided screws.

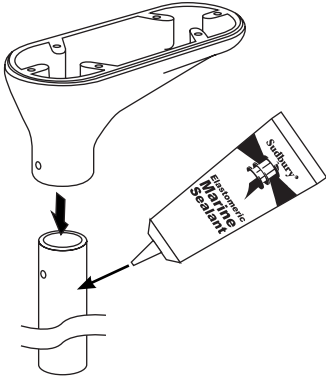


A6

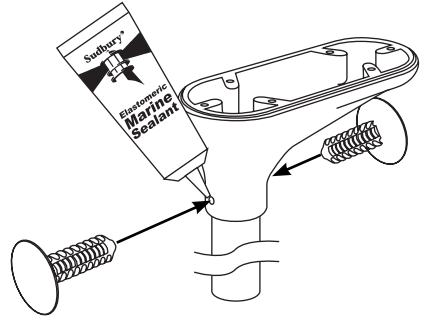
Route the GPS cables through the top.



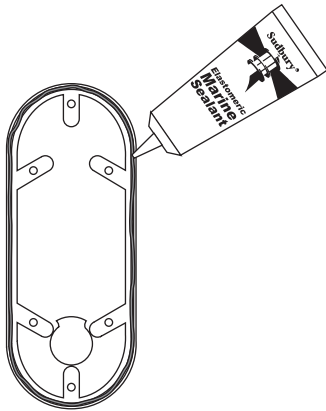
A7 Apply marine adhesive sealant around the top of the Light bar as shown, then slide the LTB-U1A on to the Light Bar.



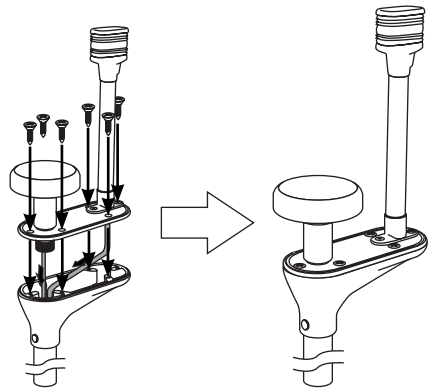
A8 Apply marine adhesive sealant to the LTB-U1A mounting holes. Then insert the two plastic rivets into holes as shown.



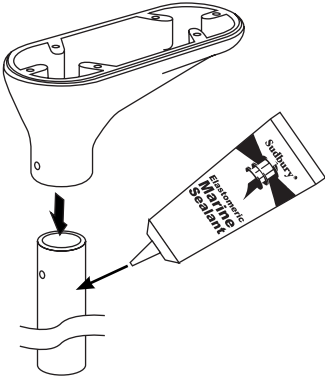
A9 Apply marine adhesive sealant into the groove of the LTB-U1A as shown.



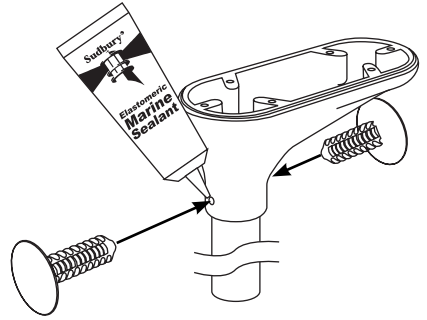
A10 Use the remaining screws to finish securing the light assembly and the top onto the LTB-U1A.



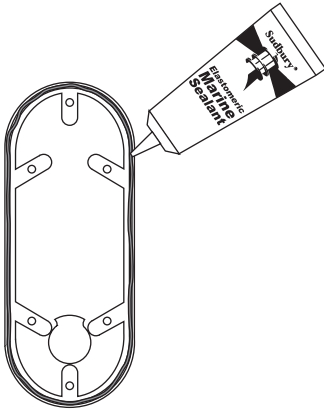
B1 Apply marine adhesive sealant around the top of the Light bar as shown, then slide the LTB-U1A on to the Light Bar.



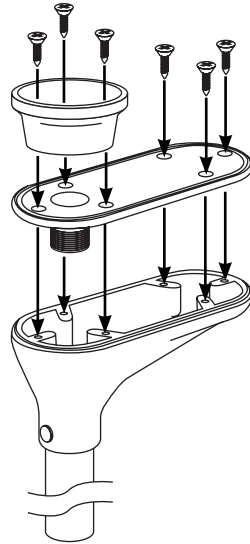
B2 Apply marine adhesive sealant to the LTB-U1A mounting holes. Then insert the two plastic rivets into holes as shown.



B3 Apply marine adhesive sealant into the groove of the LTB-U1A as shown.

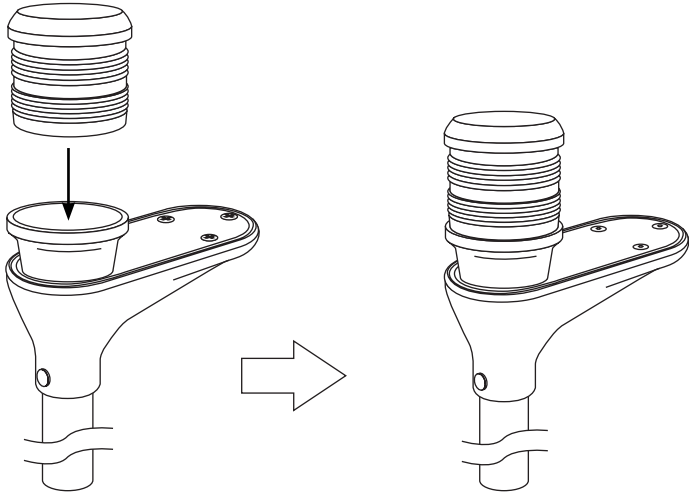


B4 Secure the light assembly and top to the LTB-U1A with the six screws.



B5

Finish assembling the light assembly.



The background of the entire page is a light gray topographic map with white contour lines. The lines are irregular and wavy, representing terrain elevation. The map covers the entire page, with the text elements overlaid on it.

SEAVIEW//
ELEVATE YOUR ELECTRONICS

SEAVIEW//

Tel: 800-655-7922
www.seaviewglobal.com

EUROPEAN OFFICE

Tel: +33 4 94 53 27 70
www.seaviewprogress.com

3-082318