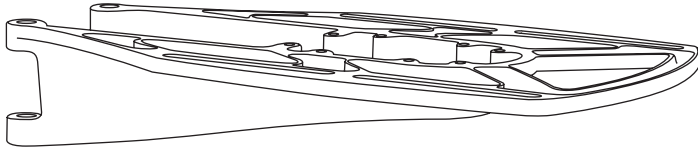


**SM-18-R**

[www.seaviewglobal.com](http://www.seaviewglobal.com)

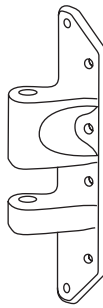


x1



SMMBR-2

x1



SMMBL-2

x1



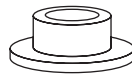
x2



x4



x4



x8

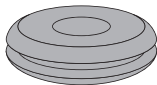
3/8"



x14



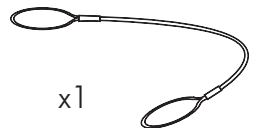
x2



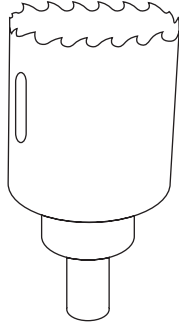
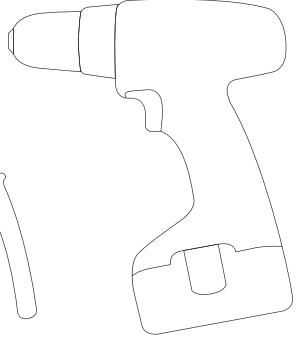
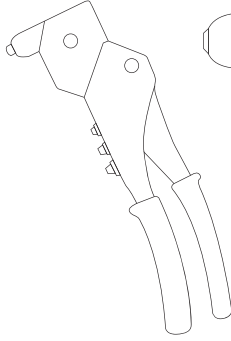
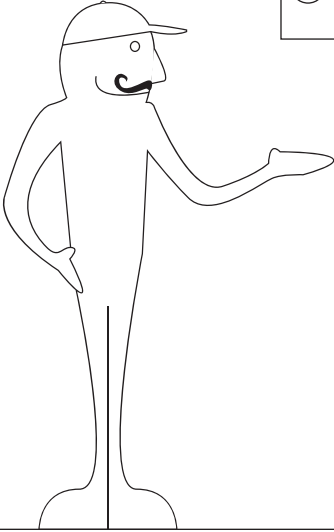
x1



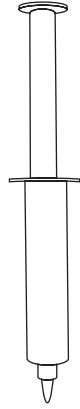
x1



x1



15/16" = 25mm



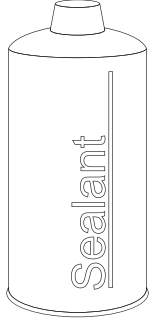
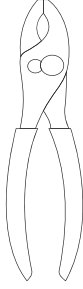
Tef-Gel or Equivalent



5/16" = 8mm

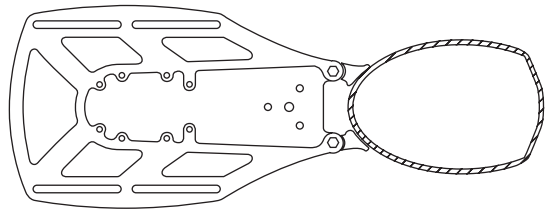


3/16" = 4.7mm



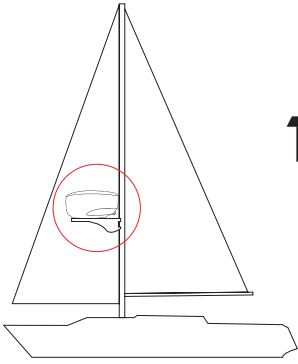
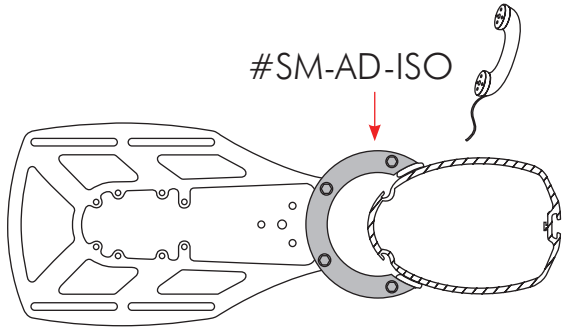
3M 4000 or Equivalent

**1A**

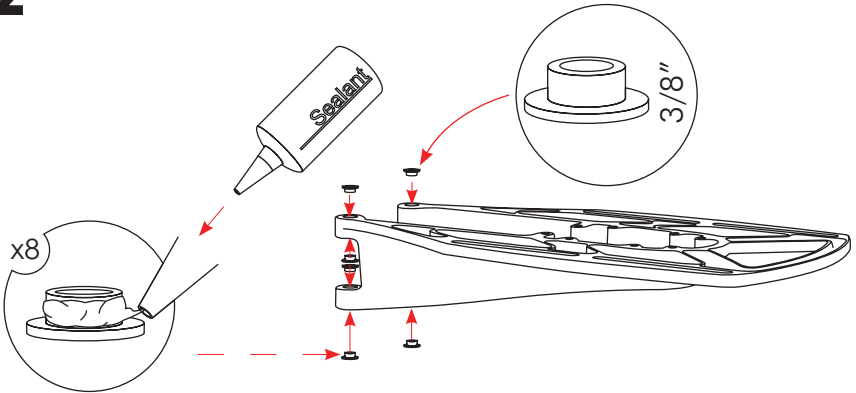


**1B**

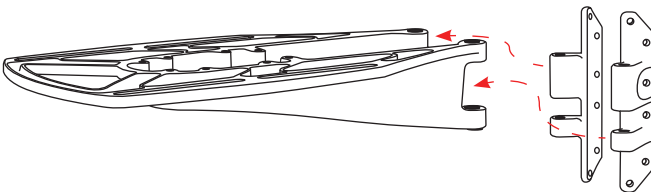
#SM-AD-ISO



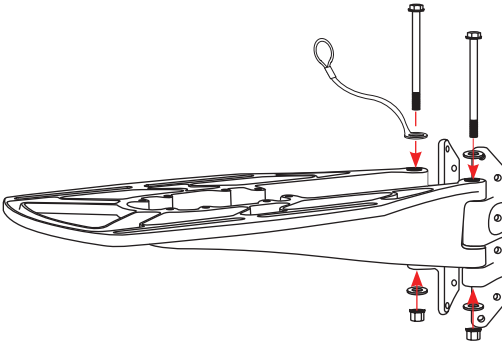
**2**



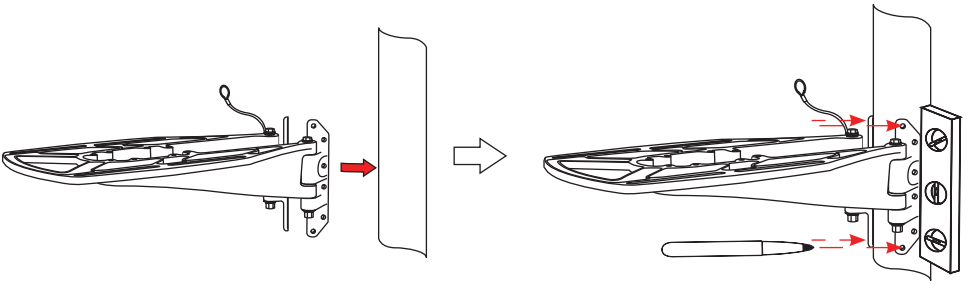
**3**



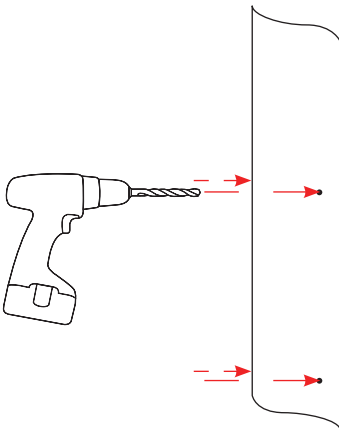
4



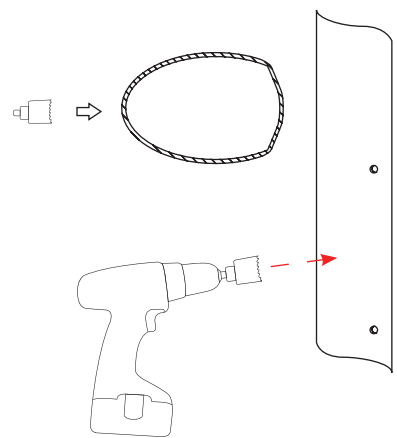
5

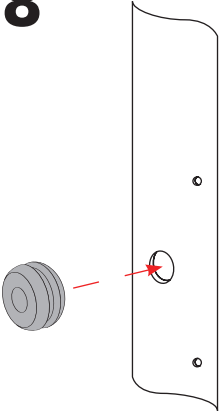
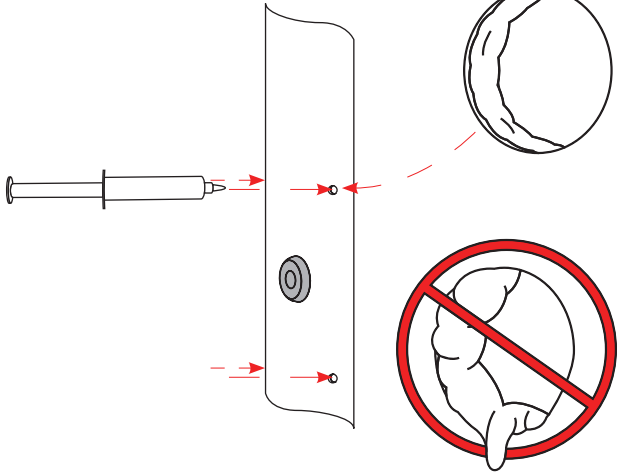
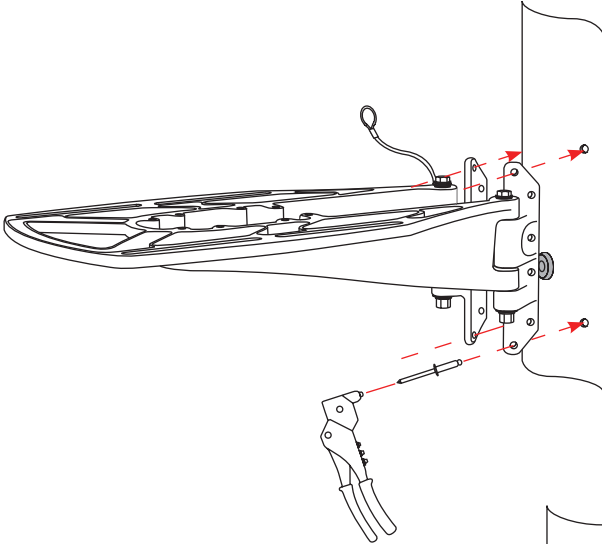
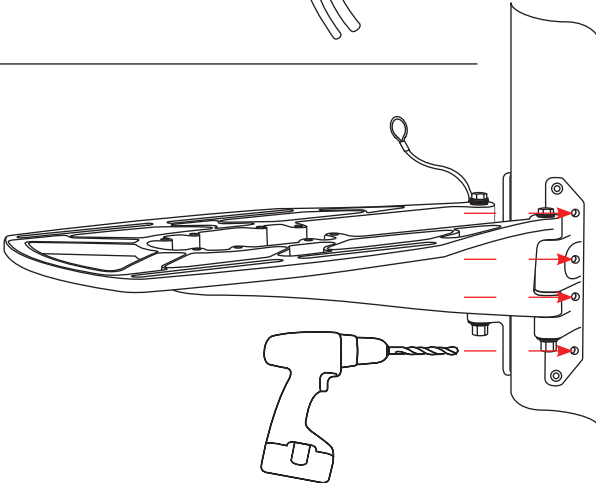


6

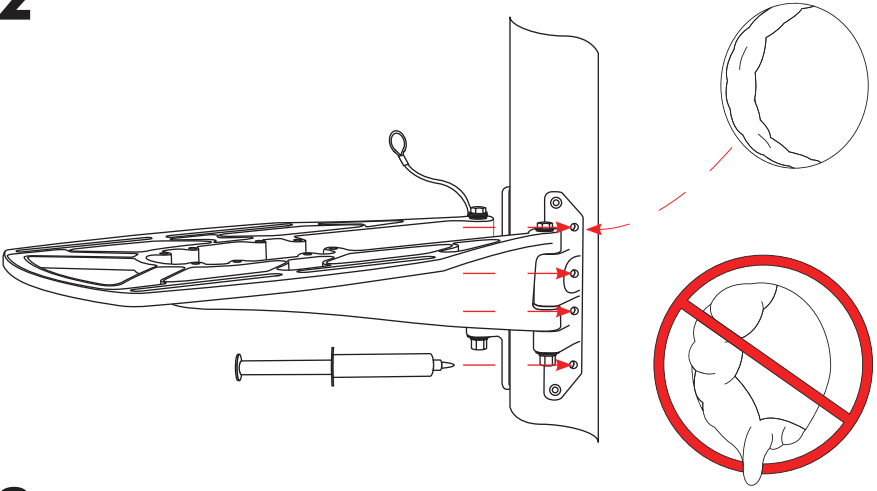


7

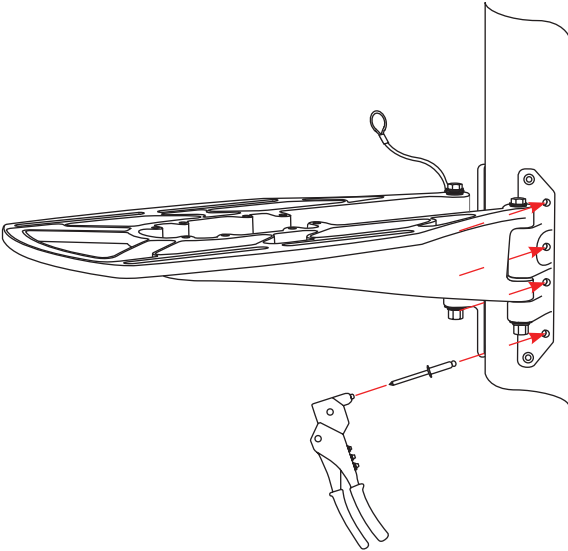


**8****9****10****11**

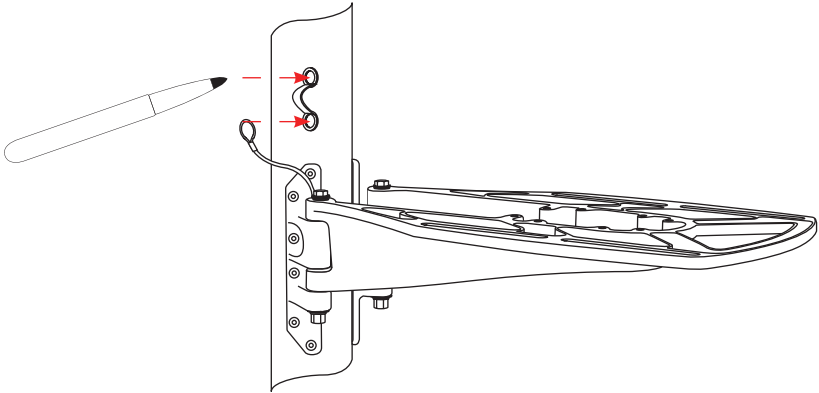
**12**



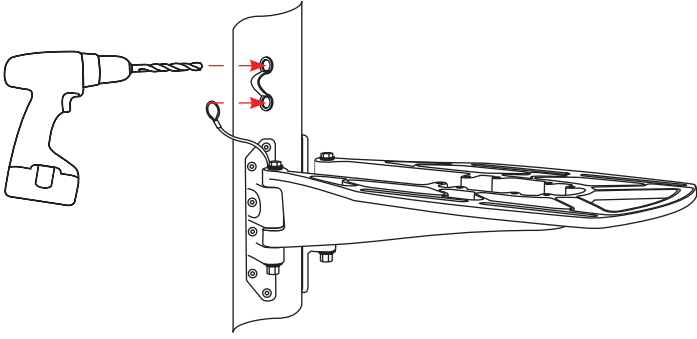
**13**



**14**

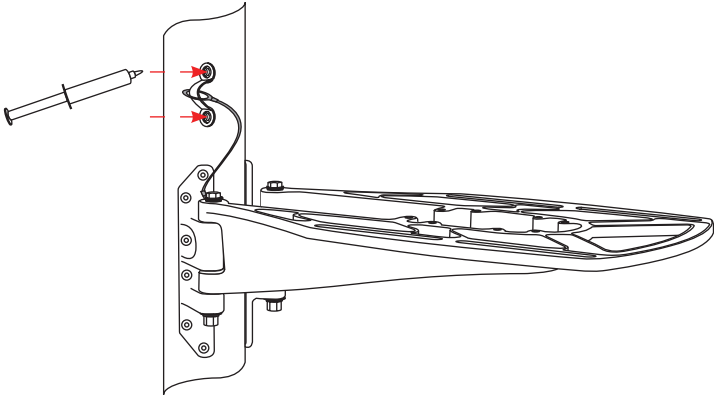


15



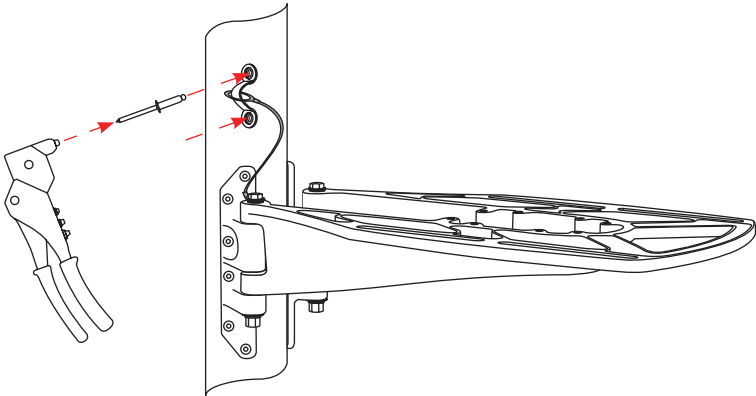
16

---



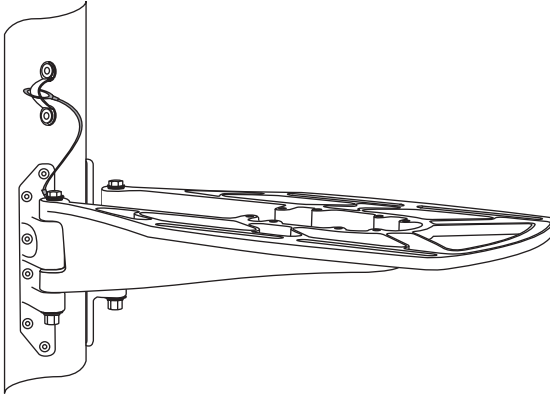
17

---



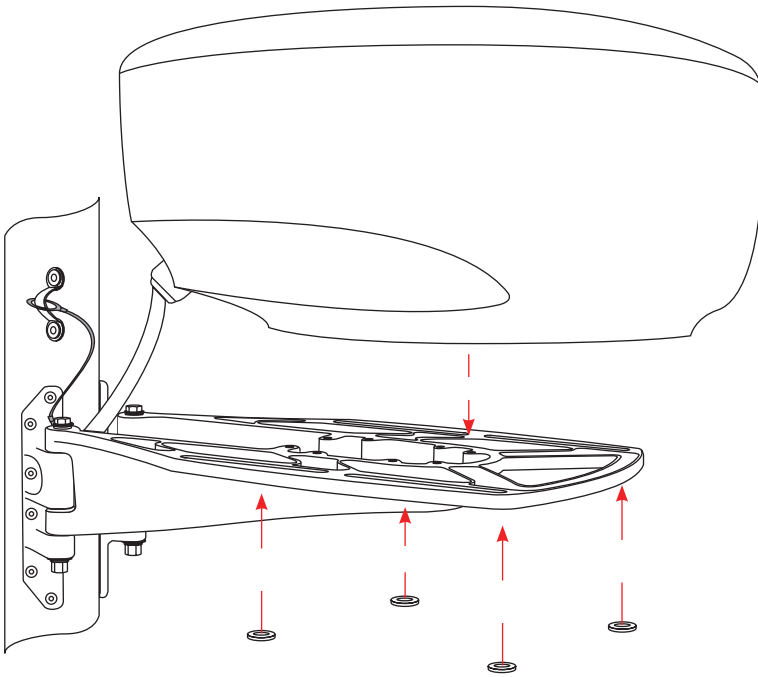


**18**

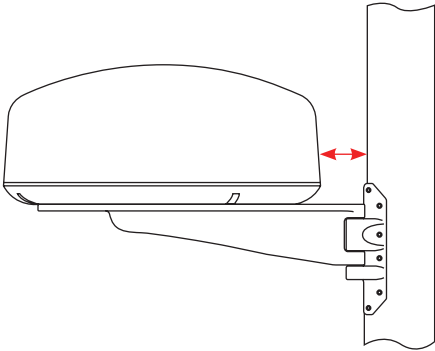
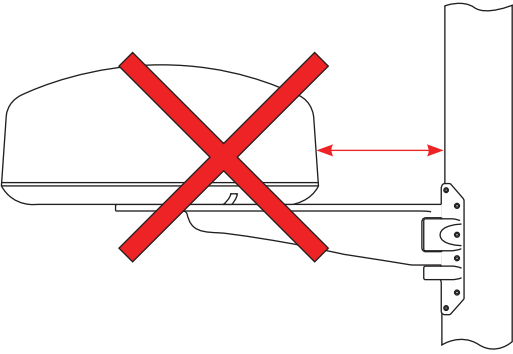


**19**

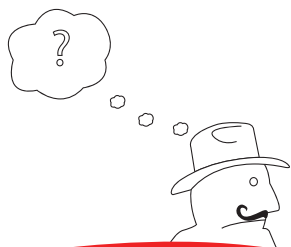
---



20







**North American Office**

12532 Beverly Park Road,  
Lynnwood, WA 98087  
Tel: 800-523-7558  
Fax: 425-355-3661  
[www.seaviewglobal.com](http://www.seaviewglobal.com)

**European Office**

Tel: +33 4 94 53 27 70  
Fax: +33 4 94 53 26 62  
ZI Du Capitou, 85 Rue Louis Lepine,  
Frejus 83600 - France  
[www.seaviewprogress.com](http://www.seaviewprogress.com)