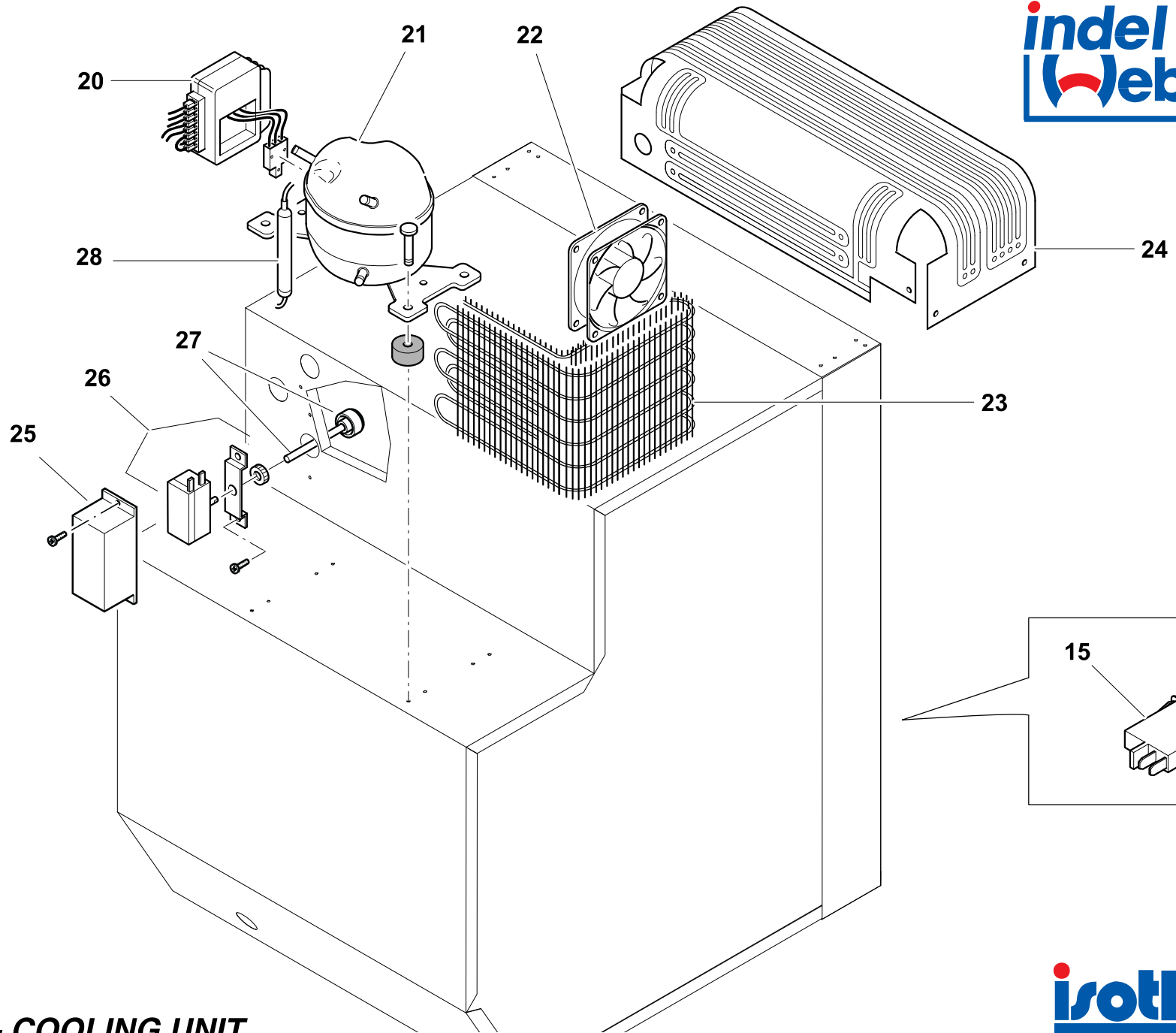


DR 49 INOX - CABINET



DR 49 INOX - COOLING UNIT

RICAMBI DR49 INOX SPARE PARTS DR49 INOX

NUMERO NUMBER	CODICE ARTICOLO ITEM CODE	DESCRIZIONE ARTICOLO ITEM DESCRIPTION
2	SGC00317AA	PLACCA COPERTURA SCHEDA ELETTRONICA 5 LED BLU PER DR65/DR55/DR49 COVER FOR ELECTRONIC CARD 5 LED BLUE FOR DR65/DR55/DR49
3	SGB00070AA	FLANGIA FM 3-LATI CR49/DR49 INOX PER FRIGO INOX 3-SIDE FLUSH MOUNTING FRAME FOR CR49/DR49 INOX
3	SGB00113AA	FLANGIA FM DR49 INOX CON FERMO PER FRIGO PREDISPOSTO VETRO 3-SIDE FLUSH MOUNTING FRAME WITH LOCK FOR DR49 GLASS PREDISPOSED
3	SGB00122AA	FLANGIA FM 3- LATI INOX PER DR49 PREDISPOSTO PANNELLO CLIENTE 3-SIDE FLUSH MOUNTING FRAME INOX FOR DR49 CUSTOMER PANEL PREDISPOSED
4	SGC00329AA	CESTELLO METALLO PER CASSETTO PICCOLO DR49 METAL BASKET FOR SMAL DRAWER DR49
5	SGC00330AA	SGOCCIOLATOIO PLASTICA BIANCA DR49 PLASTIC DRIP TRAY DOR DR49
6	SGC00331AA	CASSETTO PICCOLO SUPERIORE DR49 SMAL UPPER DRAWER DR49
7	SGC00333AA	BALCONCINO VETRO PER CASSETTO PICCOLO DR49 GLASS RETAINER FOR SMALL DRAWER DR49
8	SGC00332AA	BALCONCINO METALLO PER CASSETTO PICCOLO DR49 METAL RETAINER FOR SMALL DRAWER DR49
9	SGD00012AA	MANIGLIA INOX "CRUISE INOX" INOX HANDLE/LOCKER FOR "CRUISE INOX"
10	SGC00237AA	PORTA DR49 INOX COMPLETA DI CASSETTO COMPLETE DOOR DR49 INOX
11	SGD00027AA	KIT GUIDE SCORRIMENTO PER CASSETTO DR49/DR65/DR55F/DR160/DR190 SLIDE DRAWER KIT FOR DR49/DR65/DR55F/DR160/DR190
12	SGC00334AA	CESTELLO METALLO PER CASSETTO GRANDE DR49 METAL BASKET FOR BIG DRAWER DR49
13	SEG00033DA	SCHEDA ELETTRONICA 5 LED BLU PER DR65/DR55/DR49 ELECTRONIC CARD 5 LED BLUE FOR DR65/DR55/DR49
14	SGD00036AA	KIT GUIDE SCORRIMENTO PER CASSETTO INTERNO PICCOLO DR49/DR65/DR55F SLIDE DRAWER KIT FOR SMALL INTERNAL DRAWER DR49/DR65/DR55F
15	SEC00025AA	INTERRUTTORE A PULSANTE PER CASSETTO DR49/DR65 SWICH FOR DRAWER DR49/DR65
16	SGC00327AA	BARRA DIVIDI BOTTIGLIE DR49 DIVIDER BAR FOR BOTTLES DR49
17	SGC00237AB	PORTA DR49 INOX COMPLETA DI CASSETTO PREDISPOSTA VETRO COMPLETE DOOR DR49 INOX GLASS PREDISPOSED
18	SGA00098AA	PANNELLO PORTA VETRO DR49 BIANCO PIU STAFFA INFERIORE GLASS DOOR PANEL DR49 WHITE WITH LOWER STIRRUP
18	SGA00099AA	PANNELLO PORTA VETRO DR49 NERO PIU STAFFA INFERIORE GLASS DOOR PANEL DR49 BLACK WITH LOWER STIRRUP
18	SGA00100AA	PANNELLO PORTA VETRO DR49 GRIGIO PIU STAFFA INFERIORE GLASS DOOR PANEL DR49 GRIGIO WITH LOWER STIRRUP
18	SGA00101AA	PANNELLO PORTA VETRO DR49 BLU PIU STAFFA INFERIORE GLASS DOOR PANEL DR49 BLU WITH LOWER STIRRUP
19	SGC00335AA	PORTA DR49 COMPLETA DI CASSETTO PREDISPOSTA PANNELLO CLIENTE COMPLETE DOOR DR49 CUSTOMER PANEL PREDISPOSED
20	SEG00002DA	CENTRALINA DANFOSS 101N0210 BD35/50F 12/24V ELECTRICAL UNIT DANF. 101N0210 BD35/50F 12/24V
20	SEG00030GA	CENTRALINA DANFOSS B35F/BD50F AC/DC 12/24V-115/230V ELECT. UNIT DANFOSS BD35F/50FAC/DC 12/24V-115/230V
21	SBA00002DA	COMPRESSORE BD35F SENZA CENTRALINA DANFOSS COMPRESSOR BD35F 12/24V NO ELECTRICAL UNIT
22	SBG00005BA	VENTOLA CABLATTA 12V LOW SPEED FAN 12V LOW SPEED FOR COMPACT AND CRUISE
23	SBD00028AA	CONDENSATORE A FILO PIEGATO CON STAFFA AIR CONDENSER PIN TYPE WITH BRACKET
24	SBF00101AA	EVAPORATORE DR49 EVAPORATOR DR49
25	SEA00015AA	SCATOLA PVC NERA TERMOSTATO VENTOLA CABLATTA 12V LOW SPEED
26	SEA00031DA	TERMOSTATO CR36/49/50/65/100/120/B1135/(85/130 fino 2008)/DR49 THERMOSTAT CR36/49/50/65/100/120/B1135/(85/130 till 2008)/DR49
27	SEA00093AA	MANOPOLA TERMOSTATO CRUISE 49/65/85/130 DR49/55/65 C. THERMOSTAT KNOB CRUISE 49/65/85/130 DR49/55/65C.
28	SBD00073AA	FILTRO 10Gr PER R134a B041 TUBO 6+5mm D. 16 L. 119 (CRUISE/DANFOSS) FILTER 10Gr FOR R134a B041 TUBE 6+5mm (CRUISE/DANFOSS)