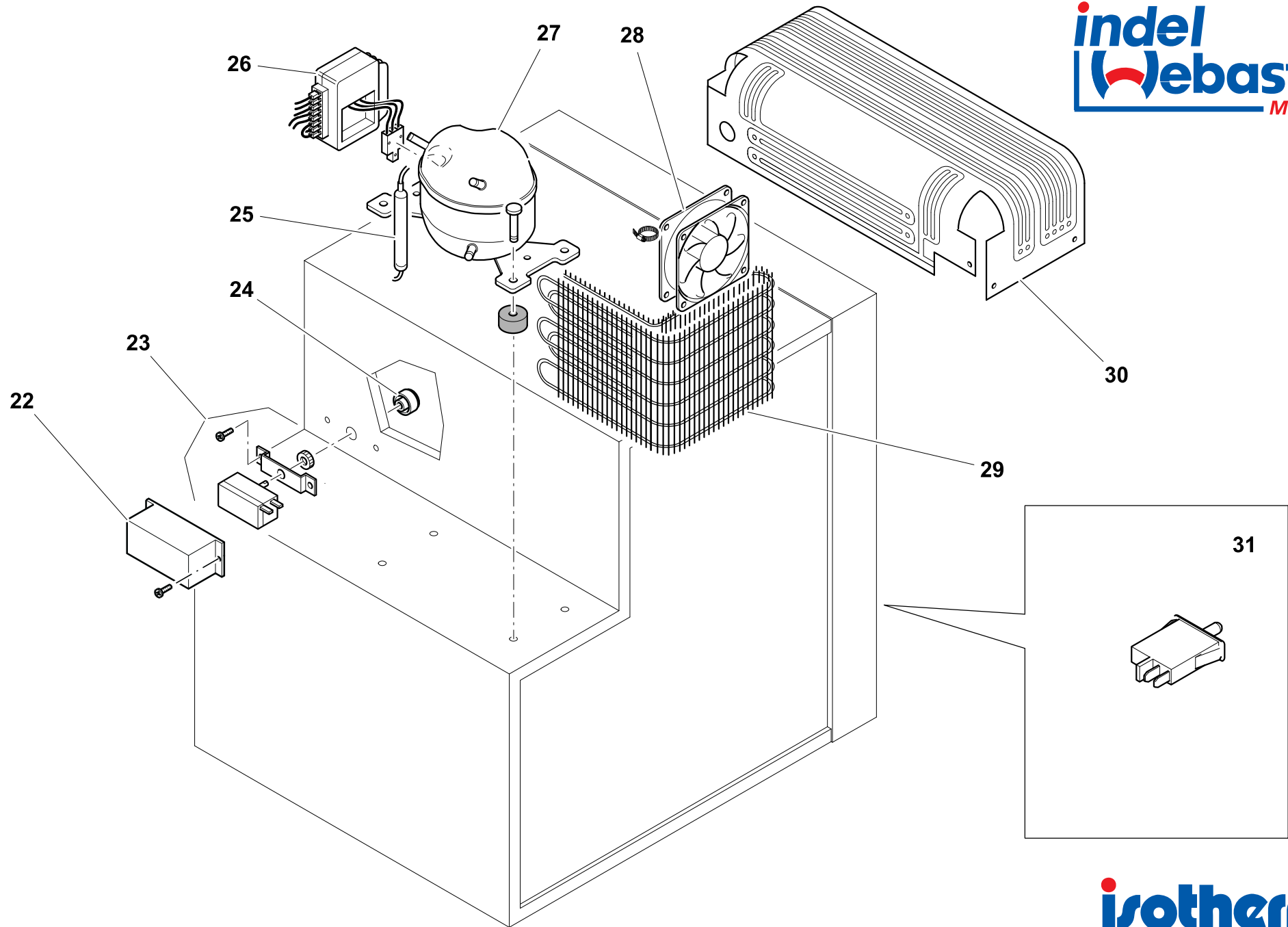


DR 65 INOX - CABINET



DR 65 INOX - COOLING UNIT

NUMERO NUMBER	CODICE ARTICOLO ITEM CODE	DESCRIZIONE ARTICOLO ITEM DESCRIPTION
2	SEG00033DA	SCHEDA ELETTRONICA 5 LED BLU PER DR65/DR55/DR49 ELECTRONIC CARD 5 LED BLUE FOR DR65/DR55/DR49
3	SGC000317AA	PLACCA COPERTURA SCHEDA ELETTRONICA 5 LED BLU PER DR65/DR55/DR49 COVER FOR ELECTRONIC CARD 5 LED BLUE FOR DR65/DR55/DR49
4	SGB00053AA	FLANGIA FM 3-LATI CR65/DR65/DR55F INOX PER FRIGO INOX 3-SIDE FLUSH MOUNTING FRAME FOR CR65/DR65/DR55F INOX
4	SGB00114AA	FLANGIA FM DR65/DR55F INOX CON FERMO PER FRIGO PREDISPOSTO VETRO 3-SIDE FLUSH MOUNTING FRAME WITH LOCK FOR DR65/55F GLASS PREDISPOSED
4	SGB00123AA	FLANGIA FM 3- LATI INOX PER DR65/DR55 PREDISPOSTO PANNELLO CLIENTE 3-SIDE FLUSH MOUNTING FRAME INOX FOR DR65/DR55 CUSTOMER PANEL PREDISPOSED
5	SGC000339AA	CESTELLO METALLO PER CASSETTO PICCOLO DR65 METAL BASKET FOR SMALL DRAWER DR65
6	SGC000343AA	SGOCCIOLATOIO PLASTICA BIANCA DR65 PLASTIC DRIP TRAY DOR DR65
7	SGC000340AA	CASSETTO PICCOLO SUPERIORE ALLUMINIO/VETRO DR65 ALUMINIUM/GLASS SMALL UPPER DRAWER DR65
8	SGD00036AA	KIT GUIDE SCORRIMENTO PER CASSETTO INTERNO PICCOLO DR49/DR65/DR55F SLIDE DRAWER KIT FOR SMALL INTERNAL DRAWER DR49/DR65/DR55F
9	SGC000341AA	BALCONCINO METALLO PER CASSETTO PICCOLO DR65 METAL RETAINER FOR SMALL DRAWER DR65
10	SGC000342AA	BALCONCINO VETRO PER CASSETTO PICCOLO DR65 GLASS RETAINER FOR SMALL DRAWER DR65
11	SGD00012AA	MANIGLIA INOX "CRUISE INOX" INOX HANDLE/LOCKER FOR "CRUISE INOX"
12	SGC000211AA	PORTA COMPLETA DR65 INOX COMPLETE DOOR DR65 INOX
13	SGD00027AA	KIT GUIDE SCORRIMENTO PER CASSETTO DR49/DR65/DR55F/DR160/DR190 SLIDE DRAWER KIT FOR DR49/DR65/DR55F/DR160/DR190
14	SGC000320AA	CESTELLO METALLO PER CASSETTO GRANDE DR65 METAL BASKET FOR BIG DRAWER DR65
15	SGC000321AA	CESTELLO PLASTICA PER CASSETTO GRANDE DR65 PLASTIC BASKET FOR BIG DRAWER DR65
16	SGC00022AA	CUBETTIERA CRUISE ICE CUBE CRUISE
17	SGD00038AA	MANIGLIA PER PANNELLO VETRO DR49/DR55/DR65 HANDLE FOR GLASS PANEL DR49/DR55/DR65
18	SGC00152AA	PORTABOTTIGLIE PIEGHEVOLE BOTTLE RACK COLLAPSIBLE
19	SGC000281AA	PORTA DR65 INOX COMPLETA DI CASSETTO PREDISPOSTA VETRO COMPLETE DOOR DR65 INOX GLASS PREDISPOSED
20	SGA00102AA	PANNELLO PORTA VETRO DR55/65 BIANCO PIU STAFFA INFERIORE GLASS DOOR PANEL DR55/65 WHITE WITH LOWER STIRRUP
20	SGA00103AA	PANNELLO PORTA VETRO DR55/65 NERO PIU STAFFA INFERIORE GLASS DOOR PANEL DR55/65 BLACK WITH LOWER STIRRUP
20	SGA00104AA	PANNELLO PORTA VETRO DR55/DR65 GRIGIO PIU STAFFA INFERIORE GLASS DOOR PANEL DR55/DR65 GRIGIO WITH LOWER STIRRUP
20	SGA00105AA	PANNELLO PORTA VETRO DR55/DR65 BLU PIU STAFFA INFERIORE GLASS DOOR PANEL DR55/DR65 BLU WITH LOWER STIRRUP
21	SGC000323AA	PORTA DR65 INOX COMPLETA DI CASSETTO PREDISPOSTA PANNELLO CLIENTE COMPLETE DOOR DR65 INOX CUSTOMER PANEL PREDISPOSED
22	SEA00015AA	SCATOLA PVC NERA TERMOSTATO VENTOLA CABLATA 12V LOW SPEED
23	SEA00031DA	TERMOSTATO CR36/49/50/65/100/120/BI135/(85/130 fino 2008)/DR49 THERMOSTAT CR36/49/50/65/100/120/BI135/(85/130 till 2008)/DR49
24	SEA00093AA	MANOPOLA TERMOSTATO CRUISE 49/65/85/130 DR49/55/65 C. THERMOSTAT KNOB CRUISE 49/65/85/130 DR49/55/65C.
25	SBD00073AA	FILTRO 10Gr PER R134a B041 TUBO 6+5mm D. 16 L. 119 (CRUISE/DANFOSS) FILTER 10Gr FOR R134a B041 TUBE 6+5mm (CRUISE/DANFOSS)
26	SEG00002DA	CENTRALINA DANFOSS 101N0210 BD35/50F 12/24V TP39310 ELECTRICAL UNIT DANF. 101N0210 BD35/50F 12/24V TP39310
26	SEG00030GA	CENTRALINA DANFOSS B35F/BD50F AC/DC 12/24V-115/230V ELECT. UNIT DANFOSS BD35F/50FAC/DC 12/24V-115/230V
27	SBA00002DA	COMPRESSORE BD35F SENZA CENTRALINA DANFOSS COMPRESSOR BD35F 12/24V NO ELECTRICAL UNIT TP39301
28	SBG00005BA	VENTOLA CABLATA 12V LOW SPEED TP39236 FAN 12V LOW SPEED FOR COMPACT AND CRUISE TP39236
29	SBD00028AA	CONDENSATORE A FILO PIEGATO CON STAFFA AIR CONDENSER PIN TYPE WITH BRACKET
30	SBF00098AA	EVAPORATORE 4 LATI DR65 EVAPORATOR 4 SIDE DR65
31	SEC00025AA	INTERRUTTORE A PULSANTE PER CASSETTO DR49/DR65 SWICH FOR DRAWER DR49/DR65